



Earth electric field logger ELOG-DUAL

2CH 24bit AD
2400Hz/150Hz/15Hz rec. or 1024Hz/32Hz rec.
with GPS timestamp

Compact and light weight

Size: 270mm×246mm×174mm

Weight: 3.2kg

Two sampling mode

PHX mode: 2400Hz/150Hz/15Hz

ADU mode: 1024Hz/32Hz

Timestamp by GPS

Time accuracy: $<\pm 100\text{nsec}$

Low power 0.14A@12.0V 1.7W

FIR digital filter High/Mid./Low(PHX) or High/Low(ADU)

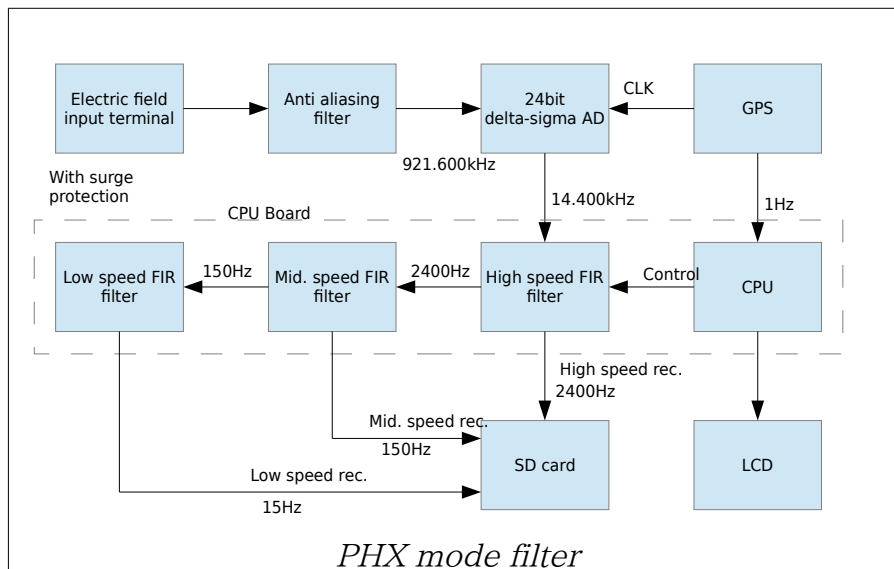
Input range $\pm 2.5\text{V/FS}$ differential input

SD card recording 128GBmax

Timing calibration output 33mVpp 1Hz

Price ¥ 860,000-(Japanese yen without tax)





●Electric field input

Num.: 2CH
 Type: Differential
 Range: $\pm 2.5V$
 Input Con.: Johnson Terminal
 Input impedance 200G Ω

●Surge protection

Input Gas tube surge arrester
 Amp. Semiconductor surge absorber

●Anti aliasing filter

Type: Butterworth LPF
 Order: 2nd 200Hz

●AD converter

Type: Delta sigma
 Resolution: 24bit
 Sampling:

PHX mode 14.4kHz

ADU mode 14.336kHz

AD drive clock is syncing with GPS clock

●GPS clock

Time accuracy: $< \pm 100nsec$

Antenna cable len.: 2.5m

Antenna shape: Patch

●Timing calibration output

Signal: Square 33mVpp 1Hz

●Data recording frequency

PHX mode: High 2400Hz/Mid. 150Hz/
 Low 15Hz

ADU mode: High 1024Hz/Low 32Hz

●LCD

Size 20char x 4lines

●Digital filter common spec.

Type: FIR LPF Butterworth

Order(tap num.): 512 max.

Coefficient file in SD card

●Digital filter @ADU mode

High speed filter

Input: 14.336kHz Output: 1024Hz

Decimation: 14

Low speed filter

Input: 1024Hz Output: 32Hz

Decimation: 32

●Digital filter @PHX mode

High speed filter

Input: 14.4kHz Output: 2400Hz

Decimation: 6

Middle speed filter

Input: 2400Hz Output: 150Hz

Decimation: 16

Low speed filter

Input: 150Hz Output: 15Hz

Decimation: 10

●SD card

Spec.: SD/SDHC/SDXC

Size: 128GB max

File system: FAT16/FAT32/exFAT

●Case

ABS water proof case

Size: 270mm \times 246mm \times 174mm

Weight: 3.2kg

●Power supply

Voltage: DC9.3V \sim 16V

Power consumption: 0.14A@12.0V 1.7W

NT System Design Inc.

e-mail: info@nt-sys.jp <http://www.nt-sys.jp/>

Libere Koyodai 7-203, 5-9 Koyodai, Inagi-shi Tokyo 206-0803 JAPAN

TEL +81-42-379-9813 FAX +81-42-379-9814